

CD 4284 NE · CD 4284 PE



DC PWM Dimmer

12V, 24V and 36V

Front Plate Mounting

CD 4284 NE · CD 4284 PE

Description

CD Dimmers are compact microprocessor-controlled PWM dimmers for front plate mounting. They are suitable for the operation of filament lamps and LEDs with series resistors. The connected lamps are switched on and off with a frequency of 120 Hertz. These switching processes are not visible to the human eye. The ratio of the on and off times determines the brightness and this can be set on the dimmer.

The control of the dimmer is by means of an integrated potentiometer which has a backlit ring to make it easy to find. The base brightness can be set by a trimming potentiometer. The load current is constantly monitored and switches off in the event of an overload. After the switch-off the dimmer carries out tests at periodic intervals to check whether the load current is in the nominal range and then switches itself on again.

Use the CD 4284 NE for loads with a common minus, and the CD 4284 PE for loads with a common plus.

Electrical Specification

Nominal Voltage:	12 VDC - 30% + 25% 24 VDC - 30% + 25% 36 VDC - 30% + 25%
Operating Voltage:	8,4 - 45 VDC
Current Consumption:	@ 12 VDC $I_s=18\text{mA}$ @ 24 VDC $I_s=8\text{mA}$ @ 36 VDC $I_s=6\text{mA}$
Switching Frequency:	$f_s=120\text{Hz} \pm 5\%$
Output Current:	max. 1,8A
Ambient Temperature:	Operation: $T_a=-25^\circ\text{C} - +55^\circ\text{C}$ Storage: $T_s=-40^\circ\text{C} - +70^\circ\text{C}$
Connector:	3 pol. plug with spring cage fine strands: 1,5mm ² solid : 1,5mm ²
External Fuse:	1,8 A slow-blow

Mechanical Specification

Fixing:	Front Plate screwed
Protection:	IP65 front side
Weight:	0,05kg

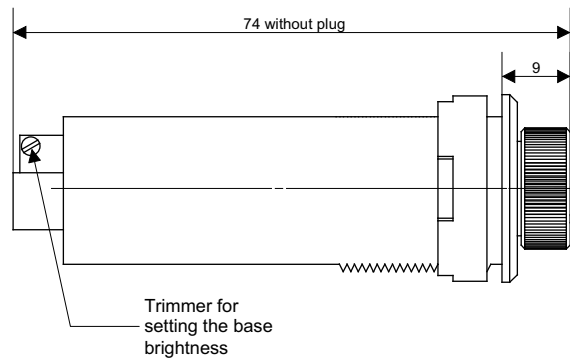
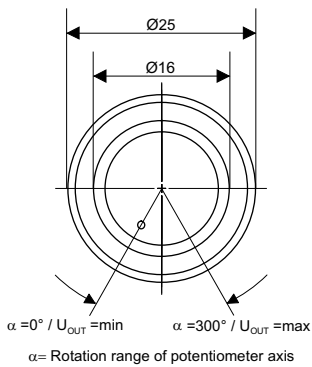
Standards and guidelines

This product conforms with the following standards and guidelines:

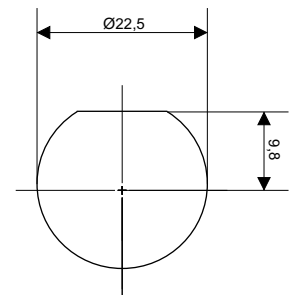
Railway Application , Electromagnetic compability EN 50121-3-2:2016

CD 4284 NE · CD 4284 PE

Dimension

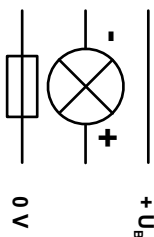
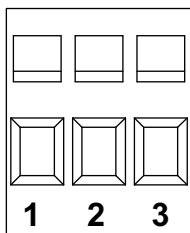


Mounting Hole



Pin Assignment

Negative Dimmer CD 4284 NE



Positive Dimmer CD 4284 PE

