



**Facing Elements
for ED and UD Series Dimmers**

Potentiometer module for dimmer series MD

Facing Elements for ED and UD Series Dimmers

Description

The facing elements are needed to mounting the UD/UDS and ED/EDS dimmer modules into the frontplate..
 The connection is made with a bolt, which is located on the modules.

The plastic elements for 22.5mm mounting hole can be fitted with and without recess for anti-twist protection.
 Available in black, gray or silver.

The aluminium elements are for 30,5mm mounting hole. Available in black or silver.
 All front elements have protection class IP65 on the front.

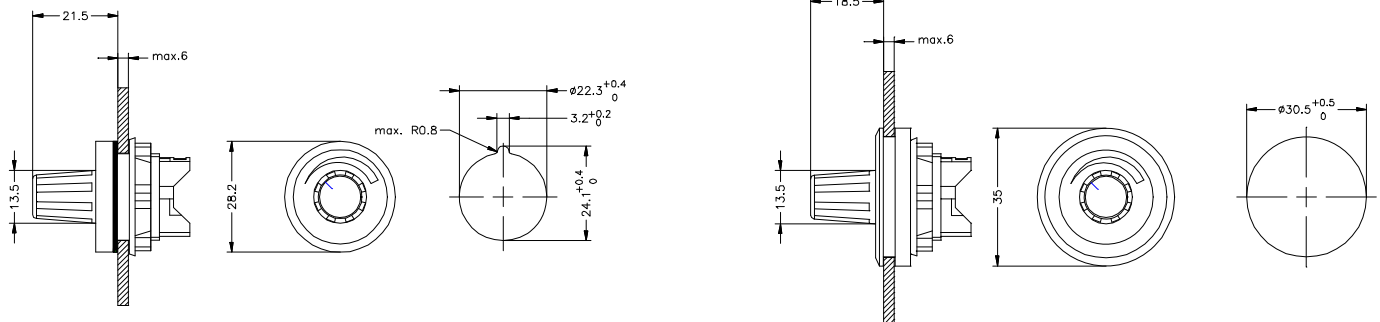
All elements are supplied with black scales with a white tail symbol, as well as black rotary knobs with white marking and screw fastening.

Technical Data

Temperature: Operating -25°C bis +55°C
 Storage -40°C bis +70°C

Wight: Plastic Elements 0,016Kg
 Aluminium Elements 0,022Kg

Protection: class IP 65

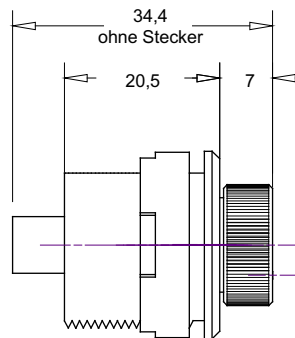
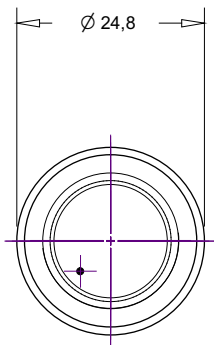


Ordering Information

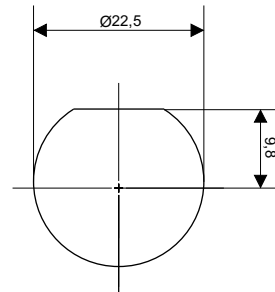
Facing Elements	Model	Dimension
DV-4420	plastic black	Ø28mm
DV-4422	plastic silver	Ø28mm
DV-4426	plastic grey	Ø28mm
DV-4430	aluminium black	Ø35mm
DV-4431	aluminium silver	Ø35mm

Equipment	
DV-4400	mounting tool

Potentiometer module



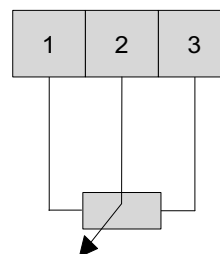
Mounting Hole



Technical Data

Housing:	Aluminum black
Protection:	class IP65 front side
Potentiometer Typ:	Cermet linear 300°
Connection:	3 pin plug with cage clamp terminals fine strand: 1,5mm ² solid: 1,5mm

Connection



Ordering Information

Element	Resistance Value*	Power Rating*	Toleranz
DV-8401	1k	0,5W	20%
DV-8447	47k	0,5W	20%

* other values on request