

## Product description WC status display



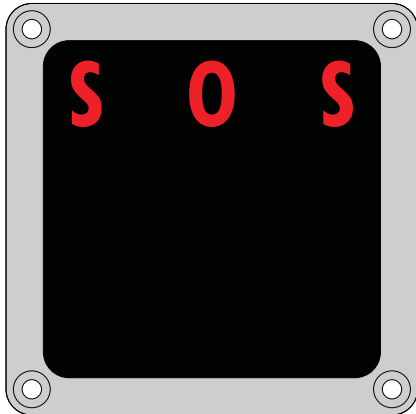
**Display for toilet facilities**

**VACANT · ENGAGED · SOS · FIRE · SERVICE · CLOSED**

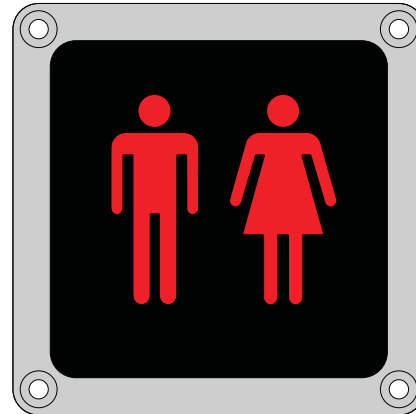
## Product description WC status display

Status icons only illuminated visible

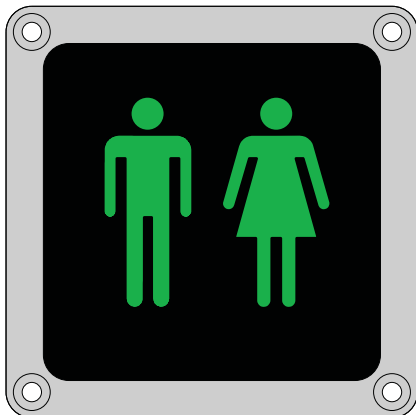
Icon 1 red



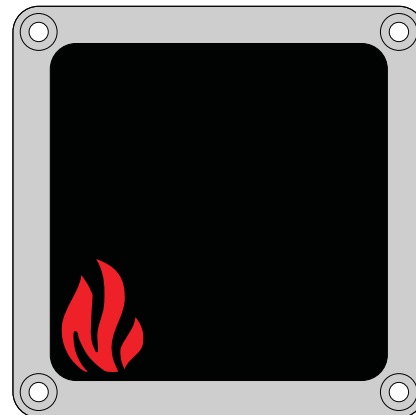
Icon 2 red



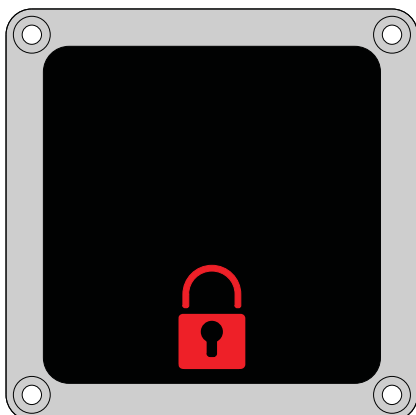
Icon 2 green



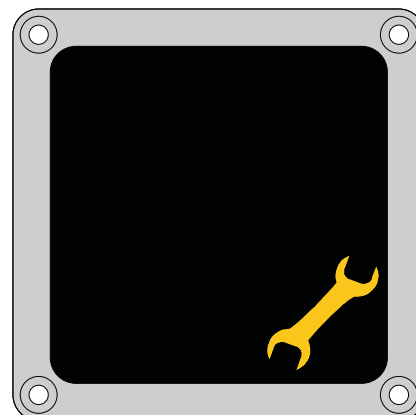
Icon 3 red



Icon 4 red

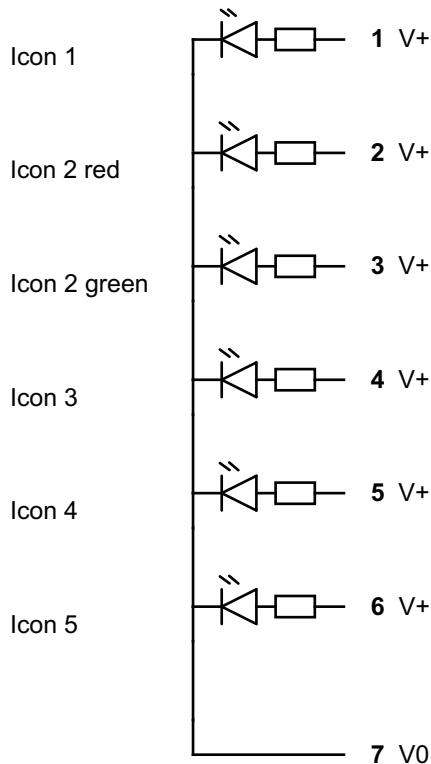


Icon 5 yellow



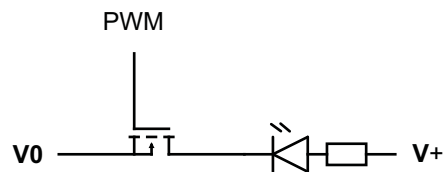
## Product description WC status display

### Pin assignment



### Dimming

The display can be operated with a negative PWM dimmer.



### Notice

Do not control icon 2 in red and green at the same time!

The icons can be operated in any combination at the same time.



Sample "engaged"

Icon 2 red + Icon 4

**Nominal voltage:** 24 and 36 VDC

**Operating voltage:** 16,8 – 45 VDC

**Current drain:** Icon 1 = 30mA, Icon 2 = 60mA each colour, Icon 3, 4, 5 each 15mA

**Wiring:** WAGO MCS plug-in system 7 pin  
 CAGE CLAMP® 2,5 mm<sup>2</sup>

**Temperature:** Operation -25° - +55°  
 Storage -40° - +70°

**Mounting position:** Any

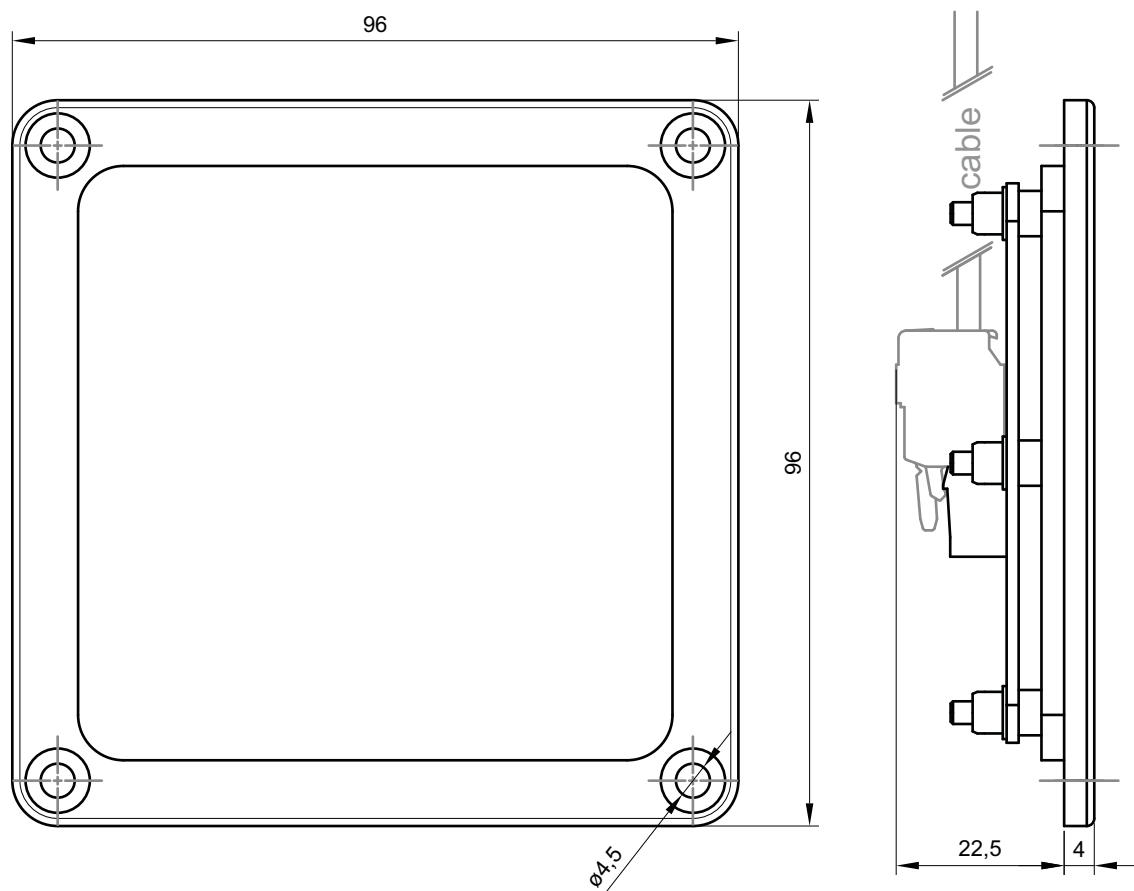
**Wight:** approx. 0,13 kg

### Standards and Guidelines

EN 45545, EN 50121

## Product description WC status display

### Dimensions



## Product description WC status display

