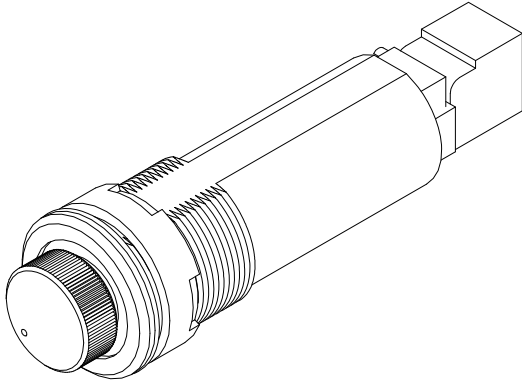
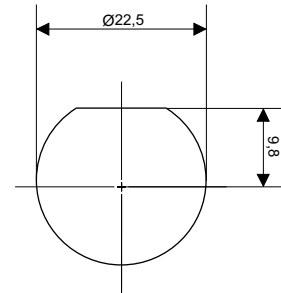


Installation, operation, and maintenance may only be carried out by qualified electricians. Follow the installation instructions described. When installing and operating the device, the applicable regulations and safety directives (including national safety directives), as well as general technical regulations, must be observed.



CAUTION
Disconnect power before installing or servicing.
To start operation, all wires must be connected.

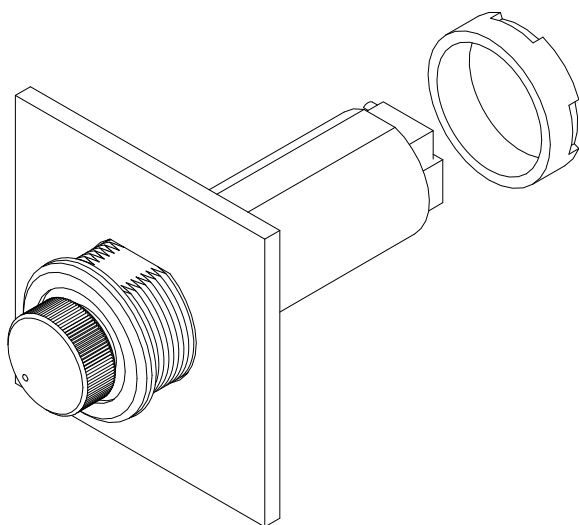


Mounting opening

Faceplate max. 9mm

Mounting

3

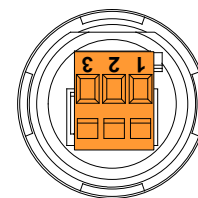


Push the dimmer through the mounting opening from the front. In doing so ensure that the sealing ring is located between the faceplate and the dimmer.

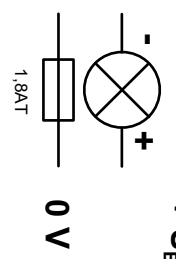
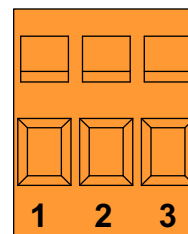
Use mounting tool DV-8400. Do not exceed 25 Ncm.

Pin assignment

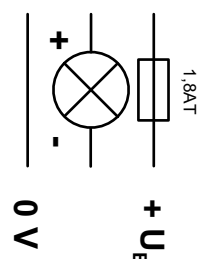
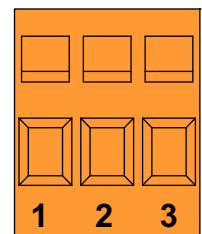
4



Negative Dimmer
CD 4284 NE



Positive Dimmer
CD 4284 PE



Starting operation by power on

5

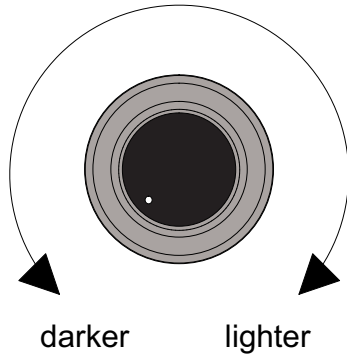
For the functional test must be at least a lamp or an indicator connected.

The brightness changes by turning the potentiometer.



Caution

The potentiometer not forcefully overwind.



Adjust the basic brightness

6

For the functional test must be at least a lamp or an indicator connected.

On the dimmer can be adjusted the basic brightness, that is to say the slightest dimmable brightness

First must be adjusted the minimum brightness by using the potentiometer

Now the basic brightness can be adjusted on the trimmer with a Trimmer Adjusting Tool

e.g. Vishay Spectrol ACCTRITOB308-T000 o.ä.

