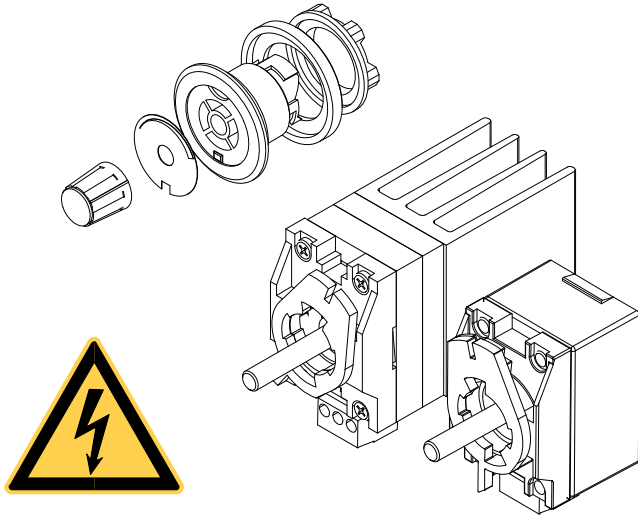
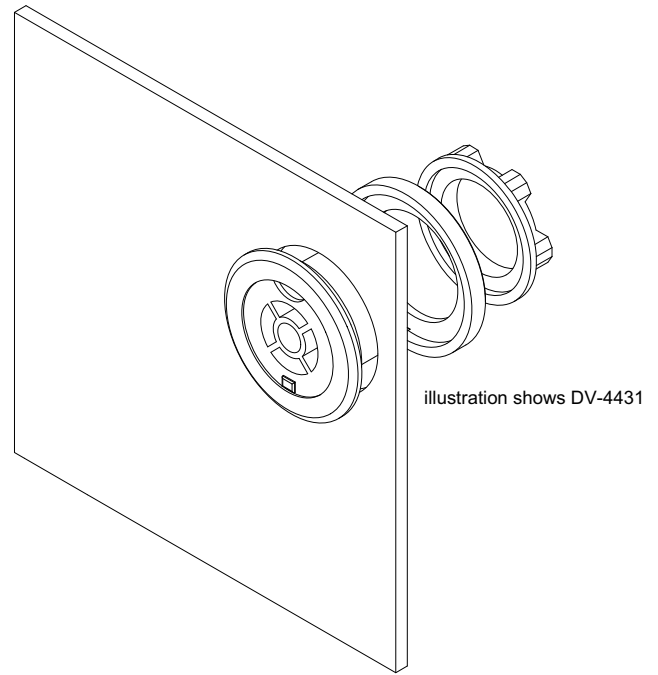


Installation, operation, and maintenance may only be carried out by qualified electricians. Follow the installation instructions described. When installing and operating the device, the applicable regulations and safety directives (including national safety directives), as well as general technical regulations, must be observed.



**CAUTION**  
Disconnect power before installing or servicing.  
To start operation, all wires must be connected.

BTC Böttner Technik Cie. mbH · Friesenweg 5F · D 22763 Hamburg



Put the Facing Element through the mounting opening from the front. Verso slide the pressure ring (only at DV-4430 to the DV-4431) on the Facing Element. Screw the element with the union nut.

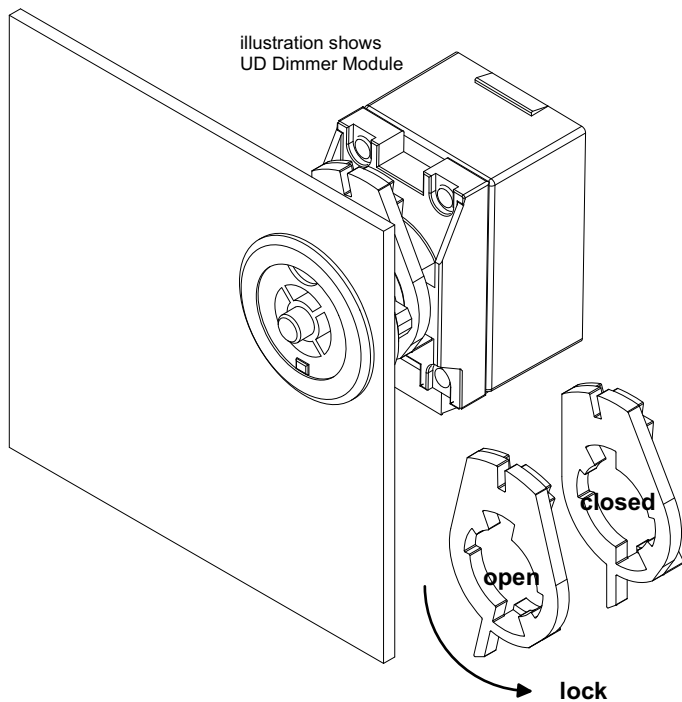
Use mounting tool DV-4400. Do not exceed 25 Ncm.

Mounting opening please refer **8**

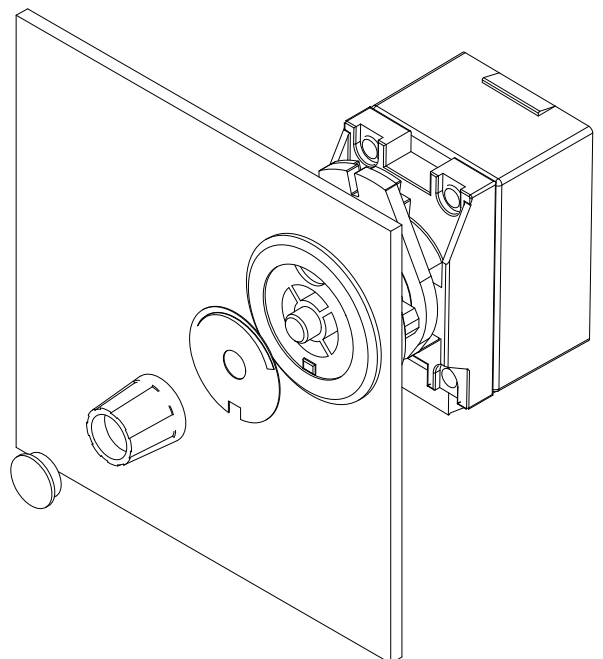
April 2016

www.btc-boettner.com

**BTC**



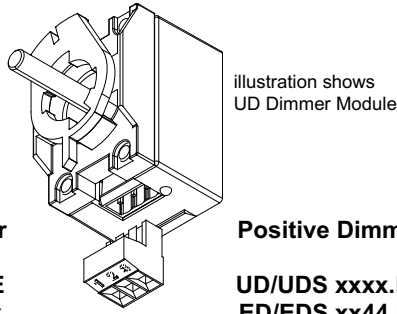
Put the module on the rear on the Facing Element and lock with the lever.



Scale plate insert with respect to the rotary protection and put the knob on the axis. Tighten the screw in the knob slightly and close it with the cap.

## Connecting power supply and load

5

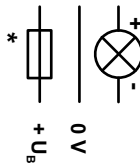
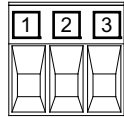
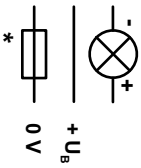
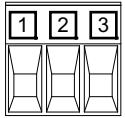


### Negative Dimmer

UD/UDS xxxx.NE  
ED/EDS xx44.Nx

### Positive Dimmer

UD/UDS xxxx.PE  
ED/EDS xx44.Px



3 load 0V dimmed

3 load  $U_B$  dimmed



UD/UDS Dimmer 2,5AT  
ED/EDS Dimmer 1,25AT

BTC Böttner Technik Cie. mbH · Friesenweg 5F · D 22763 Hamburg

## Starting operation by power on

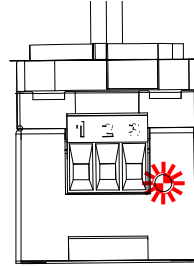
6

The brightness changes by turning the potentiometer.



### Caution

The potentiometer not forcefully overwind.



### Status LED only for Dimmers Series UD / UDS

In case of overload, the LED flashes with 3 Hz.  
In case of overtemperature, the LED flashes with 2 Hz.  
In both cases there is a shutdown of the load.



### Caution only Series ED / EDS

The heat sink is hot during operation. Do not touch.  
Ensure adequate air circulation.

April 2016

www.btc-boettner.com

BTC

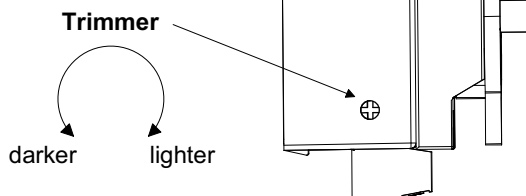
## Adjust the basic brightness Only possible for Series UD

7

On the dimmer can be adjusted the basic brightness, that is to say the slightest dimmable brightness, between 0% - 50%.

First must be adjusted the minimum brightness by using the potentiometer.  
Now the basic brightness can be adjusted on the trimmer with a trimmer adjusting tool.

e.g. Vishay Spectrol  
ACCTRITOB308-T000



## Adjust the limited brightness Only possible for Series UDS

On the dimmer can be adjusted the limited brightness, that is to say the largest adjustable brightness, between 20% - 100%.

First must be adjusted the max. brightness by using the potentiometer. Now the limited brightness can be adjusted on the trimmer with a trimmer adjusting tool.

## Mounting opening

8

